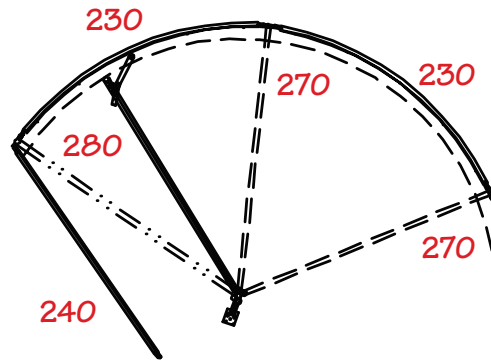


The value of a safe and efficient crowding tub is often overlooked. The crowding tub is critical to the overall efficiency of the handling system. The tub is often filled with anxious livestock and the ground is often wet and uneven. Hi-Hog's superior tub design considers these issues in its safe and efficient crowding tub.

Hi-Hog's heavy-duty 20' diameter, fully reversible crowding tub is constructed with 66" high sheeted outside panels. These panels are held in position by extra heavy duty overhead tub spreaders anchored with ground stakes. The solid pivot gate comes mounted in its own frame. The hinges are 2-7/8" OD x 4" and come with grease zerts for outstanding year round performance. In addition, the spring loaded pivot gate latch is rubber coated for smooth, quiet and secure operation.

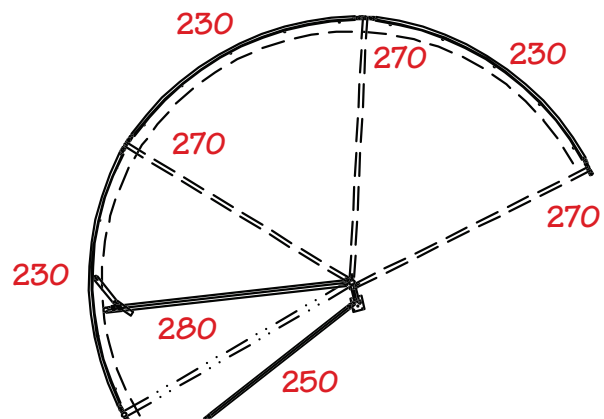
1/4 REVERSE TUB



The quarter tub is often used by small producers where budget and/or space are limited. This small tub redirects livestock back 180°.

1/4 TUB PARTS	ITEM #	DESCRIPTION
2	230	Crowding Tub - 10' Curved Panel
2	270	Crowding Tub - Overhead Spreader
1	280	Crowding Tub - Pivot Gate
1	240	Crowding Tub - 9'-3" Straight Panel

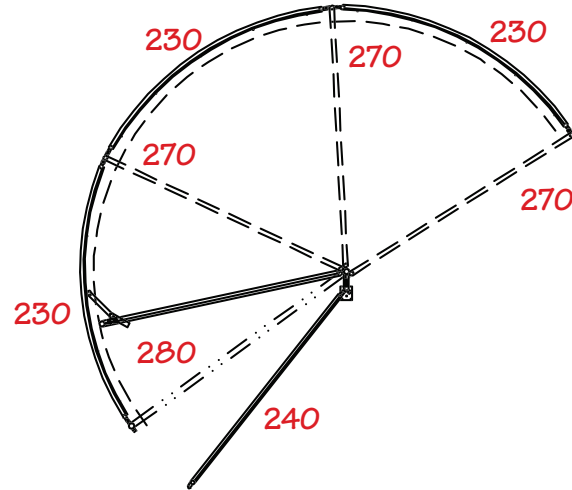
1/2 TUB WITH 7' STRAIGHT PANEL



When space or budget restrict the size of your tub, this tub will provide 180° of cattle movement sending the cattle back in the direction they came from.

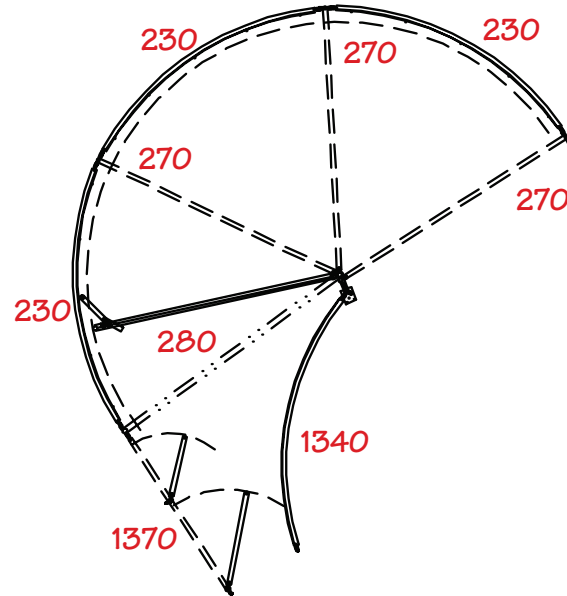
TUB SECTIONS			ITEM #	DESCRIPTION
1	2	3	#	
1	2	3	230	Crowding Tub - 10' Curved Panel
1	2	3	270	Crowding Tub - Overhead Spreader
1	1	1	280	Crowding Tub - Pivot Gate
1	1	1	250	Crowding Tub - 7' Straight Panel

1/2 TUB WITH 10' STRAIGHT PANEL



This half circle tub will direct your livestock 90° from the lead-up alley to the working alley. Remove tub sections to adjust the angle.	TUB SECTIONS			ITEM	DESCRIPTION
	1	2	3		
	1	2	3	230	Crowding Tub - 10' Curved Panel
	1	2	3	270	Crowding Tub - Overhead Spreader
	1	1	1	280	Crowding Tub - Pivot Gate
1	1	1	240	Crowding Tub - 9'-3" Straight Panel	

1/2 TUB WITH LOAD-OUT FUNNEL



The funnel tub is our most popular crowding tub. This tub will provide 180° of cattle movement. The funnel configuration offers the smoothest flow into the working alley. The funnel section can be created with either the 7' load-out panel, item 1370 (shown) or with a solid sheeted 7' panel, item 250.	TUB SECTIONS			ITEM #	DESCRIPTION
	1	2	3		
	1	2	3	230	Crowding Tub - 10' Curved Panel
	1	2	3	270	Crowding Tub - Overhead Spreader
	1	1	1	280	Crowding Tub - Pivot Gate
	1	1	1	1370	Crowding Tub - 7' Straight Panel with gates
1	1	1	1340	Curved Section 'B'	