

Working Alleys

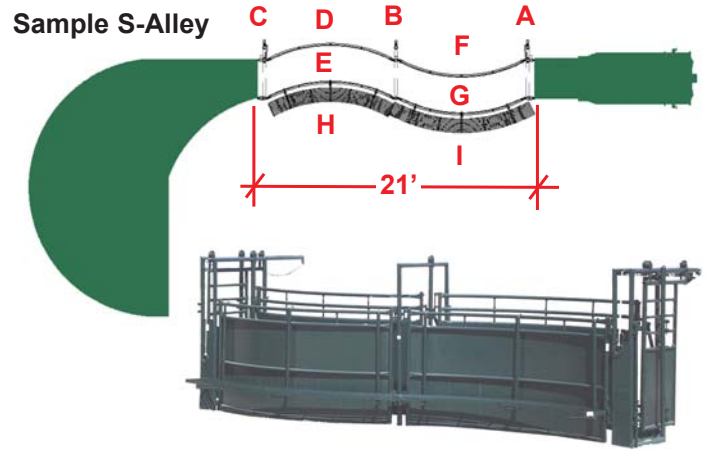
Hi-Hog offers two fully adjustable working alleys: the S-Alley and the U-Alley. The S-Alley provides excellent forward movement while the U-Alley turns 60° with each alley section. Hi-Hog also offers special transition alley spreaders which allow the operator to combine the S and U-Alleys. The panels on the adjustable side of the alley are hung above the ground on adjustable alley spreaders. These spreaders allow the operator to quickly adjust each alley section to fit the size of the cattle being processed. The alley width adjusts from 32" down to 18" and anywhere in between. The adjustable panels are 66" high. The stationary panels, on which the elevated walks are hung, are 60" high.

S-Alley

The S-Alley was created by Hi-Hog to take advantage of instinctive cattle behaviors. The alternating curves of the S-Alley encourage the lead animal to move forward in pursuit of an escape back to the pasture. As the lead animal disappears around the curve of the S-Alley the herding instinct of the other animals draws them forward. The S-Alley can be set-up on uneven ground. Any of the spreaders described can be replaced with an adjustable alley spreader complete with a rolling door.

The S-Alley comes in 11', 21', 31', 41',...etc. lengths.

Alley Length			Code	Item #	Description
11'	21'	31'			
1	1	1	A	1230	Adjustable S-Alley Spreader - Shield left
-	1	2	B	200	Adjustable S-Alley Spreader - Interior
1	1	1	C	210	Adjustable S-Alley Spreader - Shield Right
1	1	2	D	180	Curved Section 'A'
1	1	2	E	190	Curved Suction 'A1'
-	1	1	F	1340	Curved Section 'B'
-	1	1	G	1350	Curved Section 'B1'
1	1	2	H	1405	Elevated A1 Walkway (optional)
-	1	1	I	235	Elevated B1 Walkway (optional)

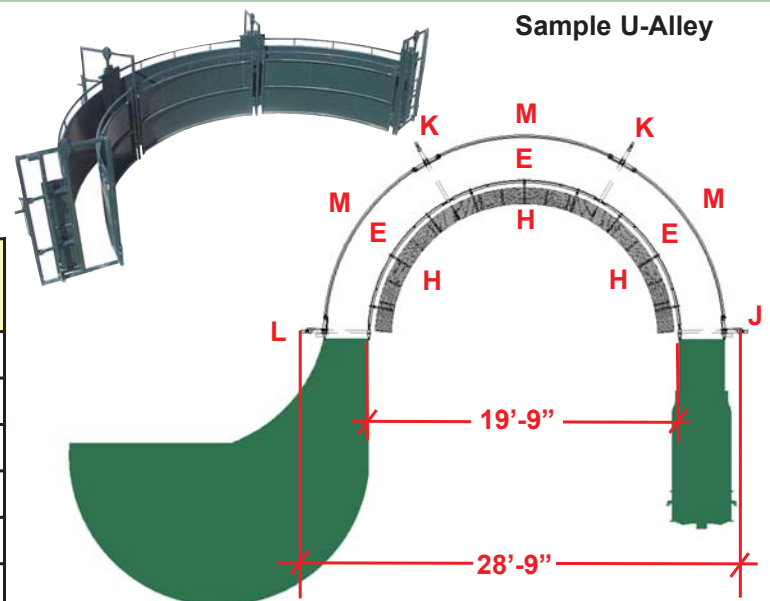


TIP The S-Alley works well with the first alley section curving either way. We have found however, that cattle will move with less hesitation if they can see clearly into the first section of the S-Alley. For optimal performance we recommend the first alley section continue the curve of the funnel section.

U-Alley

Like the S-Alley, the curve of the U-Alley encourages efficient forward movement. The U-Alley is often used in buildings where physical space is limited. This compact system works best when it is set on a hard level surface. The U-Alley is a proven performer for safe and efficient livestock handling. The U-Alley length comes in 12', 24' and 36' lengths.

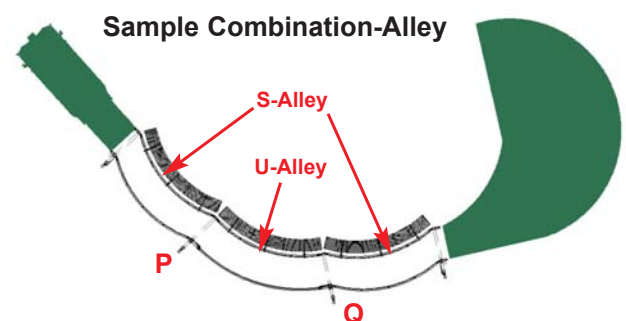
Alley Length			Code	Item #	Description
12'	24'	36'			
1	1	1	J	1430	Adjustable U-Alley Spreader - Shield left
-	1	2	K	1410	Adjustable U-Alley Spreader - Interior
1	1	1	L	1420	Adjustable U-Alley Spreader - Shield Right
1	2	3	E	190	Curved Section 'A1'
1	2	3	M	1400	Curved Section 12'U
1	2	3	H	1405	Walkway - 'A1' (optional)



Combination-Alley








At Hi-Hog we know that one system will not work for everyone. So we've made it possible for you to combine our products to create a system that will satisfy your requirements. Our U-to-S Alley spreaders allow us to combine alley types to ensure your system goes where you need it to go.

Code	Item #	Description
P	1435	Adjustable U2S-Alley Spreader - Left
Q	1425	Adjustable U2S-Alley Spreader - Right









Working Alleys - Parts and Accessories






Curved Panels

																				
Curved Panel - B			Curved Panel - B1			Curved Panel - A			Curved Panel - A1			Curved Panel - 12'U			Curved Panel - 12'A			Curved Panel - 12'B		
Height	Item #	Weight	Height	Item #	Weight	Height	Item #	Weight	Height	Item #	Weight	Height	Item #	Weight	Height	Item #	Weight	Height	Item #	Weight
66"	1340	200 lbs	60"	1350	180 lbs	66"	180	200 lbs	60"	190	180 lbs	60"	1400	275 lbs	66"	181	236 lbs	66"	1341	236 lbs

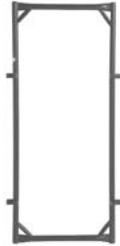






S-Alley Spreaders

											
Adjustable S-Alley Spreader Shield Left		Adjustable S-Alley Spreader Interior		Adjustable S-Alley Spreader Shield Right		Adjustable S-Alley Spreader w Rolling Door - Left		Adjustable S-Alley Spreader w Rolling Door - Interior		Adjustable S-Alley Spreader w Rolling Door - Right	
Item #	Weight	Item #	Weight	Item #	Weight	Item #	Weight	Item #	Weight	Item #	Weight
1230	190 lbs	200	130 lbs	210	190 lbs	1235	293 lbs	220	375 lbs	215	293 lbs

U-Alley Spreaders & Combination U to S-Alley Spreaders

									
Adjustable U-Alley Spreader Shield Left		Adjustable U-Alley Spreader Interior		Adjustable U-Alley Spreader Shield Right		Adjustable U to S-Alley Spreader Left		Adjustable U to S-Alley Spreader Right	
Item #	Weight	Item #	Weight	Item #	Weight	Item #	Weight	Item #	Weight
1430	275 lbs	1410	175 lbs	1420	275 lbs	1435	155 lbs	1425	155 lbs

Alley Options and Accessories

													
32" Alley Spreader		32" Alley Spreader with swing gate.		32" Alley Spreader with lift-up gate.		32" Alley Spreader with rolling door.		Alley Stop		A1 Walkway		B1 Walkway	
Item #	Weight	Item #	Weight	Item #	Weight	Item #	Weight	Item #	Weight	Item #	Weight	Item #	Weight
20	40 lbs	30	90 lbs	37	110 lbs	40	200 lbs	170	45 lbs	1405	80 lbs	235	88 lbs
A rigid frame for maintaining the alley's inside width at 32"		A rigid frame for maintaining the alley's inside width at 32". Spreader comes with a hinged gate.		A rigid frame for maintaining the alley's inside width at 32.75". The lift-up gate can be operated from either side using a rope and pulley system.		A rigid frame for maintaining the alley's inside width at 32". Frame comes with a rolling door mounted on smooth ride nylon wheels.		The alley stop prevents animals from backing up. It can be mounted to any U or S-Alley curved panel. The alley stop height is adjustable.		Each walkway section includes one tread and three hangers. A1 sections are hung on the inside radius of curved panels.		Each walkway section includes one tread and three hangers. B1 sections are hung on the outside radius of curved panels.	