

Bison Equipment

Bison Manual Squeeze Chutes



Manual with side-swing crash gate



Manual with swing-up crash gate

Unlike most bison squeezes where the manufacturers simply tack an open-frame cage onto the front of their cattle squeeze and call them a bison squeeze, the Hi-Hog Parallel Axis Bison Squeeze has been designed from the ground up solely for bison. Compare the Hi-Hog chute with others on the market and you will find the completely reversible Hi-Hog bison squeeze longer, taller, heavier, stronger and safer.

Compared with cattle, bison exhibit much stronger *'fight or flight'* behaviors. Bison, for example, have a much larger flight zone, they accelerate far faster, and they are more susceptible to stress, particularly when they're isolated. Our bison equipment is designed with a thorough understanding of these differences. Our squeeze chute is fully sheeted to create a dark calming environment. The sheet metal has been caulked with silicone to reduce noise levels. The inside of the squeeze is smooth and the gaps have been minimized to protect horns and feet.

In 1995, Hi-Hog redesigned and redefined the bison crash cage by sheeting in all but two narrow horizontal windows. In previous years our crash gate was made with open bars, similar to most of the crash cages you see in the market today. We found that the bison would ignore the bars and try to jump and 'crash through' this type of gate, causing both injury and stress. With Hi-Hog's closed-in crash gate, bison walk calmly forward to look through the windows making it far easier for the rancher to catch the bison the first time while minimizing animal stress and virtually eliminating injuries.

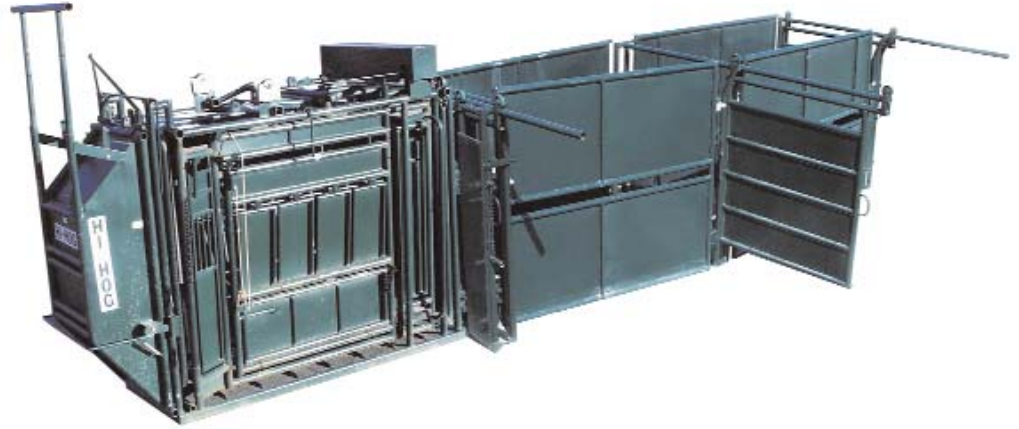
You can choose from two manual bison squeeze chutes, the traditional side-swing crash gate (Item 2365) and the popular swing-up crash gate (Item 2360). The hinge point on the side-swing can be easily shifted from one side to the other.

The parallel squeeze action draws the tapered sides inward and forward keeping your bison centered and balanced.

Operation	Completely reversible operation
Weight	Side Swing: 3,200 lbs, Lift-up: 3,400 lbs, Hydraulic:3,700 lbs
Inside Length	100"
Inside Height	82"
Inside Width	Adjustable from 12" to 32"
Base Width	40"
Side Access	8 Sheeted and siliconed, quick latch, drop down panels
Neck Access	2 vertical, sheeted and siliconed, quick latch, neck access doors
Tail Access	2 vertical, sheeted and siliconed, quick latch, tail access doors.
Foot Access	2 horizontal, sheeted and siliconed, drop down kick panels. Panels come with plunger latches.
Side Exits	Comes complete with two fully opening side exits. Excellent for sorting or for emergency access.
Tail Gate	Comes with a sheeted quick and quiet rear rolling door.
Head Gate	Full Length bottleneck scissor headgate. Both sides can be adjusted both at the top and at the bottom.
Crash Gate	Sheeted and siliconed. The sloped bottom and top insure bison keep their feet behind the stanchion.
Grease Zerts	All pivot points come with 2 hinges. All hinges are equipped with grease zerts.
Solid Construction	100% steel construction including floor and access panels.

Bison Equipment

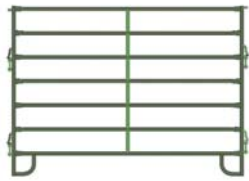


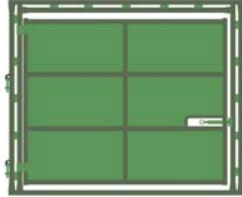
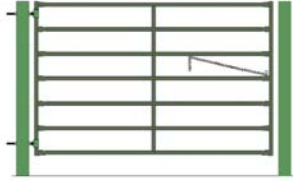
Bison Working Alleys



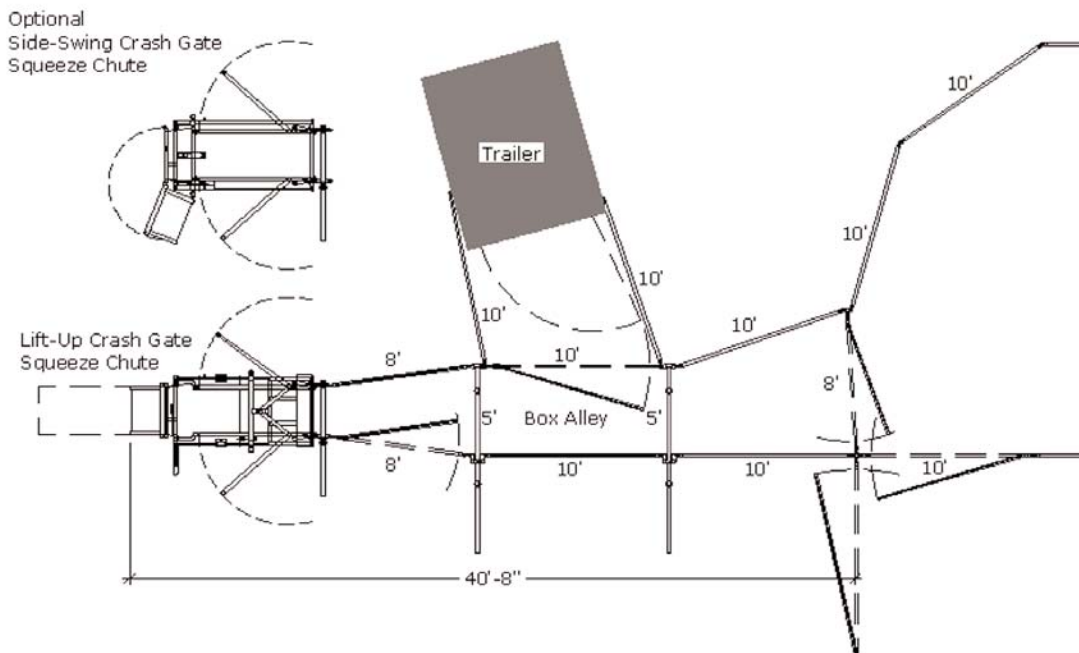
Control Alley: the sheeted 32" wide control alley is usually used directly behind the squeeze chute. This alley comes with a rolling door at both ends, a sheeted roof panel, and a side exit.

Box Alley: The sheeted 5' wide box alley, and the 5' wide to 3' wide wedge are ideal for working bison. Bison can become stressed when they are isolated. The box alley solves this problem as the bison have room to turn and they are with their herd mates. When you are ready to bring one of the bison ahead into the squeeze simply slide the rolling gate across the wedge section to isolate one animal and then quickly open the tail gate to the squeeze.

Bison Panels & Gates

				
Medium pressure	Heavy pressure	Medium pressure	Heavy pressure	Medium to heavy pressure
Available Lengths: 4',6',8',10',12',14',16'	Available Lengths: 4',6',8',10',12',14',16'	Available Lengths: 8',10',12'	Available Lengths: 8',10',12'	Available Lengths: 4',6',8',10',12',14',16'
Constructed using 1.9" O.D. 14 ga high tensile steel tubing.	Constructed using 2.375" O.D high tensile steel tubing.	Frame is constructed using 2.375" O.D. and 1.9 O.D. high tensile steel tubing. Gate is 1.9" O.D.	Constructed using 2.375" O.D. .125 wall.	Constructed using 1.9" O.D., 14 Gauge high tensile steel tubing.

Custom Design with Standard Equipment



Hi-Hog is committed to designing and building outstanding products backed by superior service and support. We have been designing handling systems for individual ranchers for over thirty years. Our system components are designed to provide us the freedom to create outstanding custom designs at an affordable price using our standard stock products. If you have a design challenge we're here to help.

We will work with you to find the best solution for your design challenge. We will prepare an accurate, scaled, computer aided drawing of your existing conditions and we will show you how our standard stock products can be used to create a safe and efficient handling system designed just for you.