

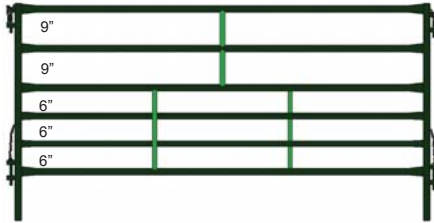
Panels and Gates

The Heavy Duty Line: designed for use in the heaviest pressure areas such as corrals, handling areas, and confinement.

Heavy Duty Panels - the narrow spacing of the bottom four bars provides excellent control for calves.

6 Bar - Heavy Duty Panels

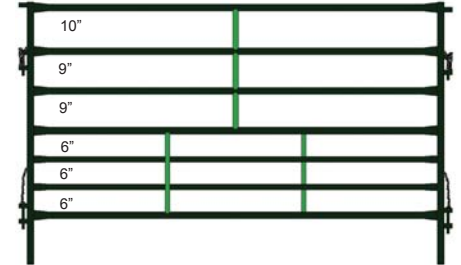
- The bottom bar and top three bars are 1.9" OD, 14 ga.
- The two interior bottom bars are 1.5" OD, 16 ga.
- 1.5" OD, 16 ga. tubing is used to reinforce the top three bars
- 1.25" x 3/16" flatbar provides additional strength for the bottom four bars
- End verticals are coned to eliminate sharp edges
- Panels come with a pin & chain on both ends



Size (L x H)	Item Number	Weight (lbs)
6' x 5'	810	65
8' x 5'	820	85
10' x 5'	830	100
12' x 5'	840	120
14' x 5'	850	140
16' x 5'	860	155

7 Bar - Heavy Duty Panels

- The bottom bar and top four bars are 1.9" OD, 14 ga.
- The two interior bottom bars are 1.5" OD, 16 ga.
- 1.5" OD, 16 ga. tubing is used to reinforce the top four bars
- 1.25" x 3/16" flatbar provides additional strength for the bottom four bars
- End verticals are coned to eliminate sharp edges
- Panels come with a pin & chain on both ends

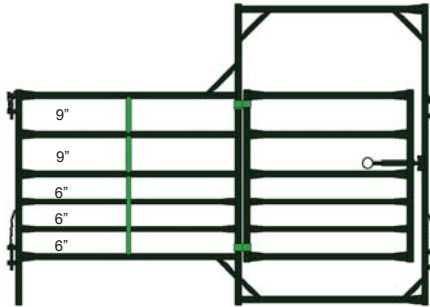


Size (L x H)	Item Number	Weight (lbs)
6' x 6'	816	83
8' x 6'	826	105
10' x 6'	836	131
12' x 6'	846	150
14' x 6'	856	172
16' x 6'	866	196

Heavy Duty Panels with a Gate

6 Bar - Heavy Duty Panels with a Gate

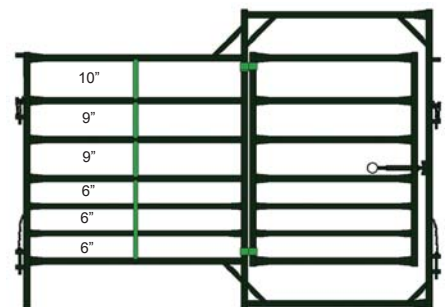
- The bottom bar and top three bars are 1.9" OD, 14 ga.
- The two interior bottom bars are 1.5" OD, 16 ga.
- Gate frame is 1.9" OD, 12 ga.
- 1.5" OD, 16 ga. tubing is used to reinforce the top three bars
- 1.25" x 3/16" flatbar provides additional strength for the bottom four bars.
- End verticals are coned to eliminate sharp edges
- Panels come with a pin & chain on both ends
- Gate comes with 7/8" plunger latch



Size (L x H)	Item Number	Weight (lbs)
6' x 5'	811	124
8' x 5'	821	141
10' x 5'	831	155
12' x 5'	841	175
14' x 5'	851	200
16' x 5'	861	218

7 Bar - Heavy Duty Panels with a Gate

- The bottom bar and top four bars are 1.9" OD, 14 ga.
- The two interior bottom bars are 1.5" OD, 16 ga.
- Gate frame is 1.9" OD, 12 ga.
- 1.5" OD, 16 ga. tubing is used to reinforce the top four bars
- 1.25" x 3/16" flatbar provides additional strength for the bottom four bars
- End verticals are coned to eliminate sharp edges.
- Panels come with a pin & chain on both ends
- Gate comes with 7/8" plunger latch

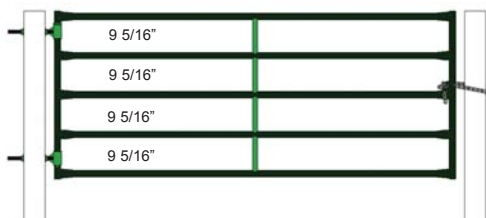


Size (L x H)	Item Number	Weight (lbs)
6' x 6'	817	83
8' x 6'	827	157
10' x 6'	837	180
12' x 6'	847	202
14' x 6'	857	225
16' x 6'	867	247

Heavy Duty Gates

5 Bar - Heavy Duty Gates

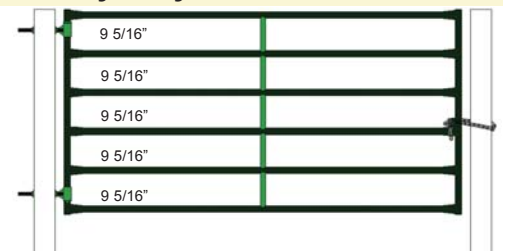
- Constructed of 1.9" OD, 14 ga. throughout
- Coped 1.5" OD, 16 ga. tubing is used for the interior verticals for reinforcement
- Collar hinges come with 13" of 1" diameter allthread
- The end verticals are coned to eliminate sharp edges
- Gates come complete with 48" of 1/4" chain and chain latch



Size (L x H)	Item Number	Weight (lbs)
4' x 4'	640	55
6' x 4'	650	70
8' x 4'	660	90
10' x 4'	670	100
12' x 4'	680	120
14' x 4'	690	140
16' x 4'	700	160

6 Bar - Heavy Duty Gates

- Constructed of 1.9" OD, 14 ga. throughout
- Coped 1.5" OD, 16 ga. tubing is used for the interior verticals for reinforcement
- Collar hinges come with 13" of 1" diameter allthread
- The end verticals are coned to eliminate sharp edges
- Gates come complete with 48" of 1/4" chain and chain latch



Size (L x H)	Item Number	Weight (lbs)
4' x 5'	645	56
6' x 5'	655	76
8' x 5'	665	95
10' x 5'	675	118
12' x 5'	685	142
14' x 5'	695	161
16' x 5'	705	185

All Hi-Hog Panels come with our universal connectors which allow you complete freedom to combine any of our panels, spreaders, or frame & gates. All Hi-Hog Panels and Gates are built from 60,000 psi minimum high tensile steel tubing.

The actual Panel length, including connectors is 1" less than the descriptive name. (For example; the overall length of a 12' panel including connectors is 11'-11")

The actual Gate length, measured at the outside edge of the gate verticals, is 5" less than the descriptive name. (For example; a 12' gate is 11'-7" long, allowing 5" of clearance on a 12' opening between gate posts)

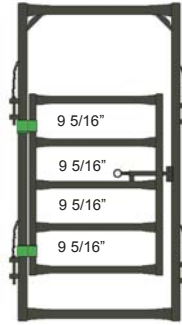
Panels and Gates

The Heavy Duty Line: designed for use in the heaviest pressure areas such as corrals, handling areas, and confinement.

Heavy Duty Frame & Gates - Single Frame

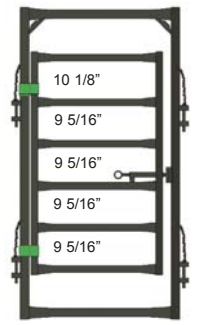
5 Bar - Heavy Duty Frame & Gates - SF

- Gate construction: 1.9" 14 ga. throughout
- Frame construction: a 2 3/8" OD, 0.125" wall frame
- Comes with 7/8" dia. plunger latch and striker plate



6 Bar - Heavy Duty Frame & Gates - SF

- Gate construction: 1.9" 14 ga. throughout
- Frame construction: a 2 3/8" OD, 0.125" wall frame
- Comes with 7/8" dia. plunger latch and striker plate



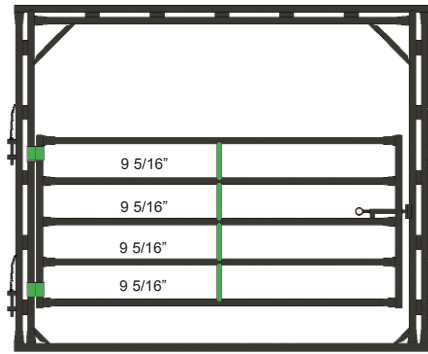
Size (L x H)	Gate Height	Item Number	Weight (lbs)
4' x 7'	5'	350	100
6' x 7'	5'	352	128

Size (L x H)	Gate Height	Item Number	Weight (lbs)
4' x 7'	6'	351	125
6' x 8'	6'	355	145

Heavy Duty Frame & Gates - Double Frame - One Piece Construction

5 Bar - Heavy Duty Frame & Gates - DF

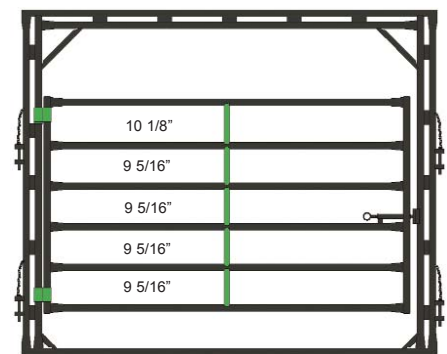
- Gate construction: 1.9" 14 ga. throughout
- For additional strength, coped 1.5" OD, 16 ga. tubing is used for interior verticals
- Frame construction: End verticals and top rails are built using doubled up 1.9" OD, 14 ga. Bottom rail is 2 3/8" OD, 0.125" wall
- Comes with 7/8" dia. plunger latch and striker plate



Size (L x H)	Gate Height	Item Number	Weight (lbs)
8' x 8'	5'	360	195
10' x 8'	5'	370	225
12' x 8'	5'	380	260
8' x 10'	5'	390	210

6 Bar - Heavy Duty Frame & Gates - DF

- Gate construction: 1.9" 14 ga. throughout
- For additional strength, coped 1.5" OD, 16 ga. tubing is used for interior verticals
- Frame construction: End verticals and top rails are built using doubled up 1.9" OD, 14 ga. Bottom rail is 2 3/8" OD, 0.125" wall
- Comes with 7/8" dia. plunger latch and striker plate

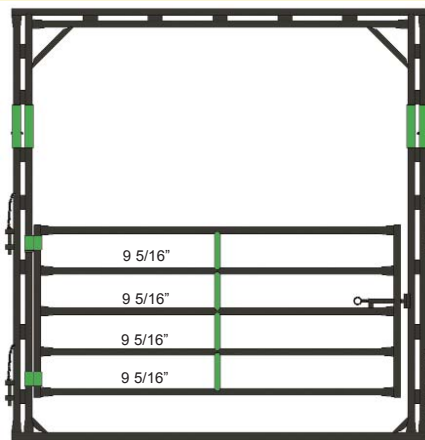


Size (L x H)	Gate Height	Item Number	Weight (lbs)
8' x 8'	6'	361	210
10' x 8'	6'	371	240
12' x 8'	6'	381	285
8' x 10'	6'	391	225

Heavy Duty Frame & Gates - Double Frame - Two Piece Construction

5 Bar - Heavy Duty Frame & Gates - DF- 2PC

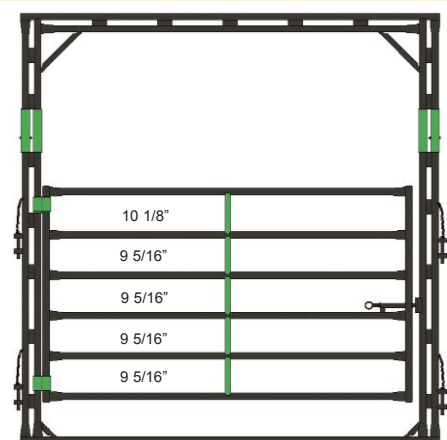
- Gate construction: 1.9" 14 ga. throughout
- For additional strength, coped 1.5" OD, 16 ga. tubing is used for interior verticals
- Frame construction: End verticals and top rails are built using doubled up 1.9" OD, 14 ga. Bottom rail is 2 3/8" OD, 0.125" wall
- Frame comes in two pieces to accommodate shipping
- Comes with 7/8" dia. plunger latch and striker plate



Size (L x H)	Gate Height	Item Number	Weight (lbs)
10' x 10'	5'	400	240
12' x 10'	5'	410	275
10' x 12'	5'	420	255
12' x 12'	5'	430	290

6 Bar - Heavy Duty Frame & Gates - DF- 2PC

- Gate construction: 1.9" 14 ga. throughout
- For additional strength, coped 1.5" OD, 16 ga. tubing is used for interior verticals
- Frame construction: End verticals and top rails are built using doubled up 1.9" OD, 14 ga. Bottom rail is 2 3/8" OD, 0.125" wall
- Frame comes in two pieces to accommodate shipping
- Comes with 7/8" dia. plunger latch and striker plate



Size (L x H)	Gate Height	Item Number	Weight (lbs)
10' x 10'	6'	401	260
12' x 10'	6'	411	300
10' x 12'	6'	421	275
12' x 12'	6'	431	315

All Hi-Hog Panels come with our universal connectors which allow you complete freedom to combine any of our panels, spreaders, or frame & gates. All Hi-Hog Panels and Gates are built from 60,000psi minimum high tensile steel tubing.

The actual Frame & Gate length, including connectors is 1" less than the descriptive name. (For example; the overall length of a 12' panel including connectors is 11'-11")

Frame & Gates are commonly used to segregate animals in an alley or as a pen entrance or exit.